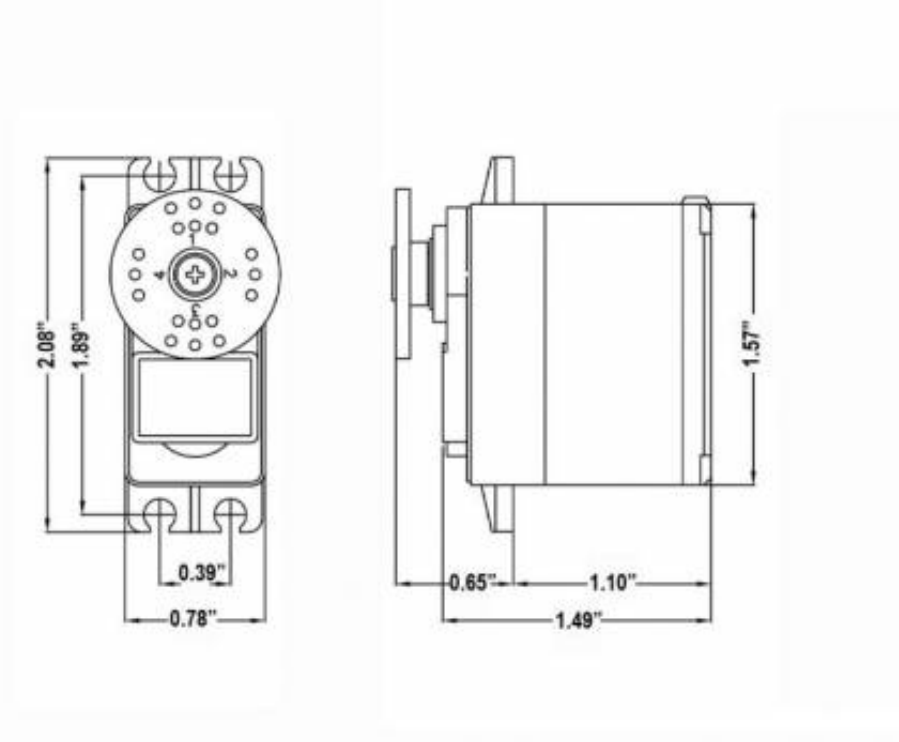


Bearing Servo

# HS-485HB Deluxe HD Ball Bearing Servo

Part No: 33485S

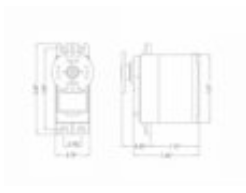


Click image above for full size.

[< Previous Photo](#) [Next Photo >](#)

## Additional Views





## Product Description

The HS-485HB updates the very popular HS-475HB by adding more torque and greater speed. With its top ball bearing, heavy duty, high impact Karbonite™ gears and high performance circuitry, the HS-485HB offers lots of torque and features excellent centering and resolution.

\*See Karbonite Guidelines Below

## Features

**Applications:** Heli's and Aircraft up to 72" or up to 12lbs when using just one servo per control surface.

**Note:** Be aware that high vibration gas (not glow) engines combined with large control surfaces and large throws (3D models) can put undue strain on the gears. Metal geared servos are recommended for these applications even if under 12lbs.

**Warning:** Do not use thread lockers on Karbonite geared servo as it will cause the output shaft to fail.

## Specifications

Motor Type:	3 Pole
Bearing Type:	Top Ball Bearing
Speed (4.8V/6.0V):	0.20 / 0.17 sec @ 60 deg.
Torque oz./in. (4.8V/6.0V):	72 / 89
Torque kg./cm. (4.8V/6.0V):	5.2 / 6.4
Size in Inches:	1.57 x 0.78 x 1.49
Size in Millimeters:	39.88 x 19.81 x 37.85
Weight ounces:	1.59
Weight grams:	45.08

## Spare Parts